

FAST LOCK

FIRST CHOICE IN REMOTE T-HANDLE LOCKING SYSTEMS



What is Fast Lock?

Fast Lock is a twist lock with an integrated electrically controlled lock/unlock system that can be made to function with the existing vehicle remote central locking system or with an independent central locking module.

Fast Lock Locking System is unique and internationally patented. The technology has been tried, tested, and proven as a device that will give peace of mind.

Why Buy Fast Lock?

The Fast Lock design is very compact and can be fitted without disassembling which makes it quick and easy to fit.

Highlights

- IP65 Certified. Rain, dust and dirt-proof
- Electric motor actuator available in 12 or 24volts
- Integrated design
- Quick installation without dismantling the lock
- Can lock and unlock using a key
- Compact and durable
- Plug-and-play
- Plugs are compatible with most aftermarket central locking systems
- Assembled and tested in Australia



Where is Fast Lock used?

Trades or Works vehicles, Trucks, Trailers, Campers, Leisure vehicles where multiple compartments for storage are used. In most cases, these vehicles have multiple doors inclusive of canopies on tray backs as used by Carpenters, Builders, Electricians, Handymen, Government departments, and many other work and leisure uses.

What are the Benefits?

A busy works schedule and demanding timetable as well as the pressures of getting from job to job can potentially mean that we do not have the time to go around and manually lock each cabin door or compartment. The result can potentially mean thousands of dollars' worth of valuable equipment or stock being stolen if cabin doors and compartments are not locked. Fast Lock helps ensure that the risk of these instances occurring is reduced.

Fitting Fast lock

The Fast Lock Locking system is simply and easy to install. Fitting can be performed by a competent do it yourself professional, or by a qualified professional. The Fast Lock Locking System is available as a complete remote-controlled locking system or simply as a standard lock without a remote function.

Melbourne

27 - 29 Micro Circuit
Dandenong South VIC 3175
Ph : 03 8768 6666
Fax : 03 8768 6600

Laverton

3/110 Fitzgerald Rd
Laverton North VIC 3026
Ph: 03 93698113
Fax: 03 93698070

Sydney

2/314 Hoxton Park Rd
Prestons NSW 2170
Ph: 02 96095122
Fax: 02 96095844

Perth

3 Kalli Street
Malaga WA 6090
Ph: 08 92481833
Fax: 08 92481899

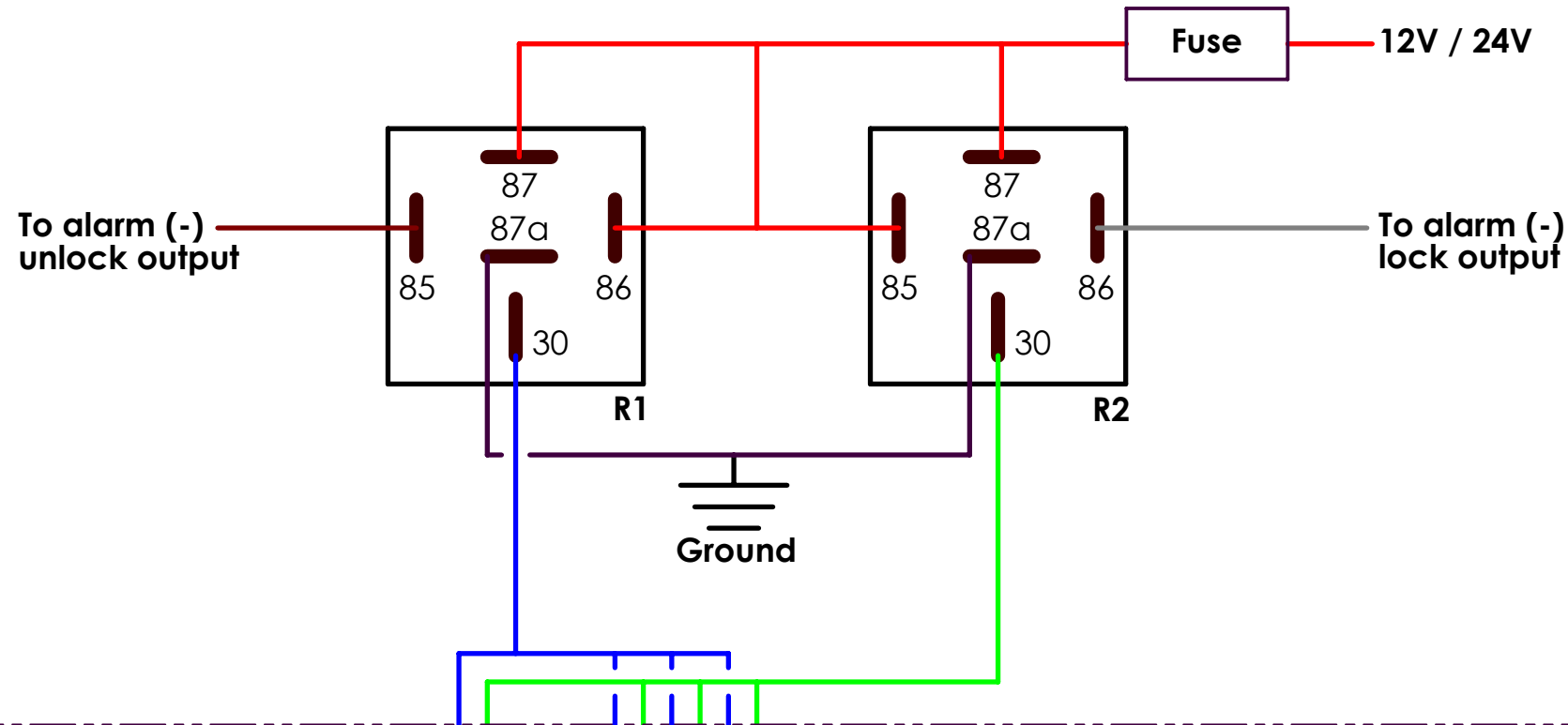
Brisbane

U1A / 919-925 Nudgee Rd
Banyo QLD 4014
Ph: 07 32677722
Fax: 07 32678822

Bayswater

4/383 Dorset Rd
Bayswater VIC 3155
Ph: 03 9762 1200
Fax: 039762 1400

In vehicle cabin



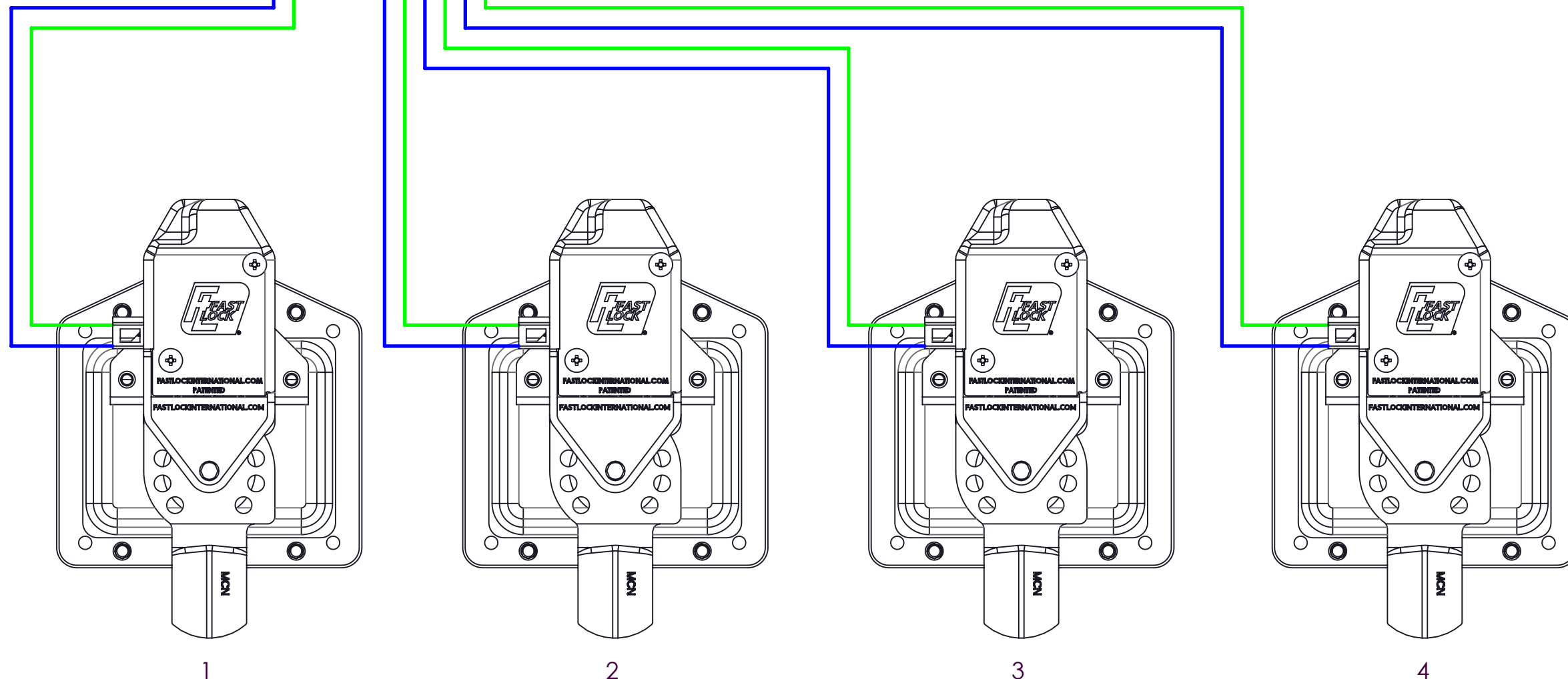
SCHEMATIC FOR FASTLOCK V2

NEGATIVE TRIGGER VEHICLE SWITCH SENDS A GROUND SIGNAL TO CONTROLLER TO MOVE THE ACTUATORS

Attention: FastLock series FL-124 is rated for 12 volts only.
Series FL-244 is rated for 12 - 24 volts

Key:

- R1 = relay 1
- R2 = relay 2
- 85 = relay coil - switching or control output
- 86 = relay coil - switching or control output
- 87 = relay power circuit output NO (Normally Open)
- 87a = relay power circuit output NC (Normally Closed)
- 30 = relay power circuit input

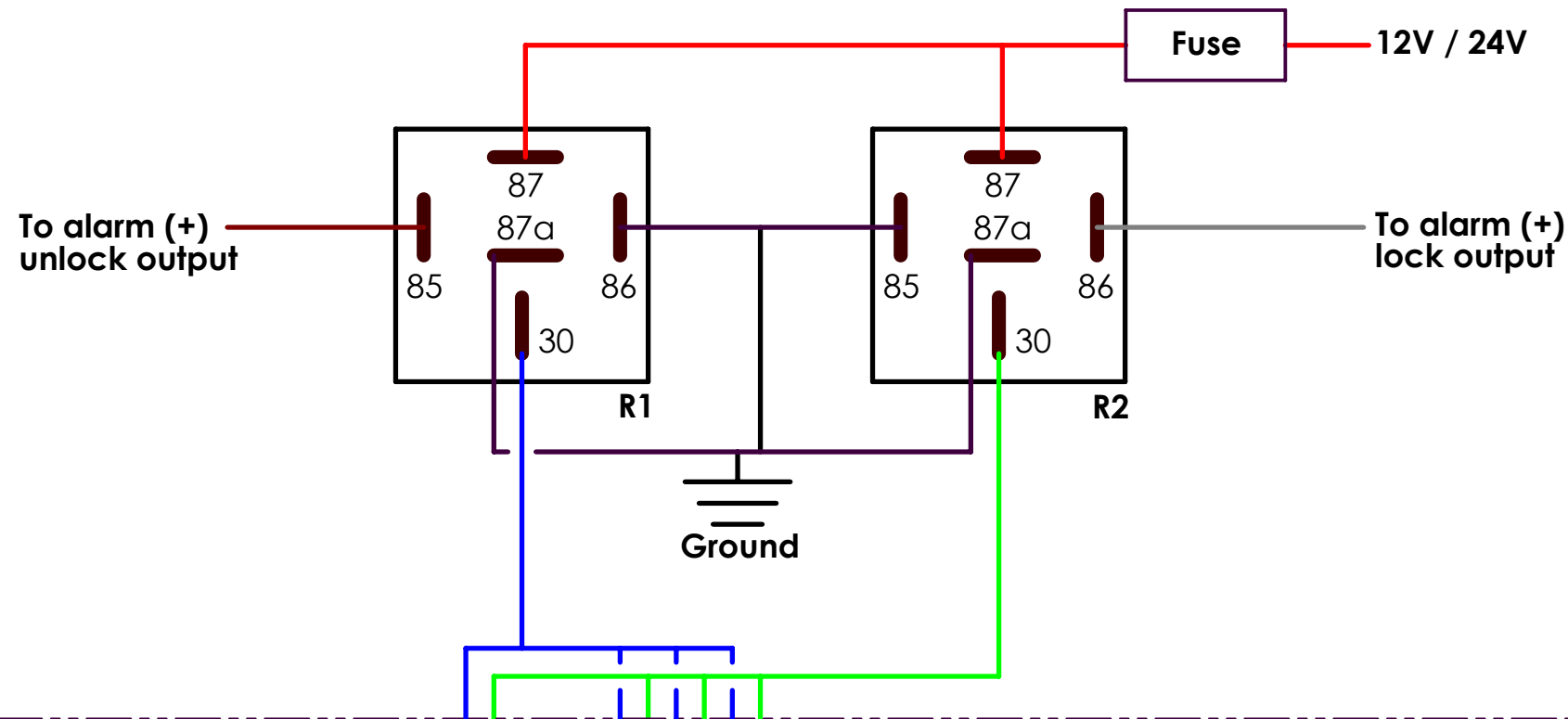


FASTLOCK Wiring

Unlock polarity
Blue wire (+)
Green wire (-)

Lock Polarity
Blue wire (-)
Green wire (+)

In vehicle cabin



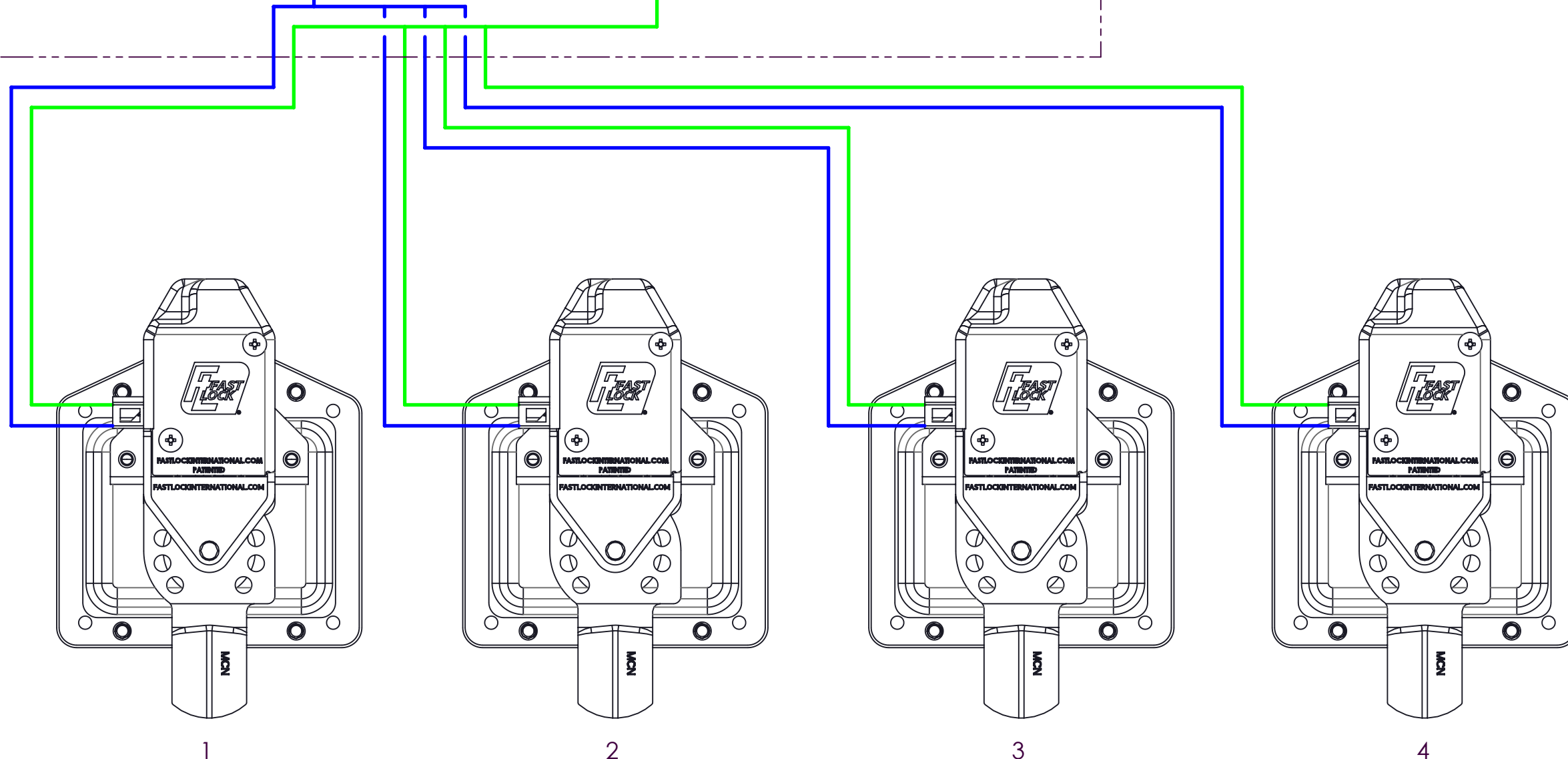
SCHEMATIC FOR FASTLOCK V2

POSITIVE TRIGGER
VEHICLE SWITCH SENDS A POSITIVE SIGNAL TO CONTROLLER TO MOVE THE ACTUATORS

Attention: FastLock series FL-124 is rated for 12 volts only. Series FL-244 is rated for 12 - 24 volts

Key:

- R1 = relay 1
- R2 = relay 2
- 85 = relay coil - switching or control output
- 86 = relay coil - switching or control output
- 87 = relay power circuit output NO (Normally Open)
- 87a = relay power circuit output NC (Normally Closed)
- 30 = relay power circuit input

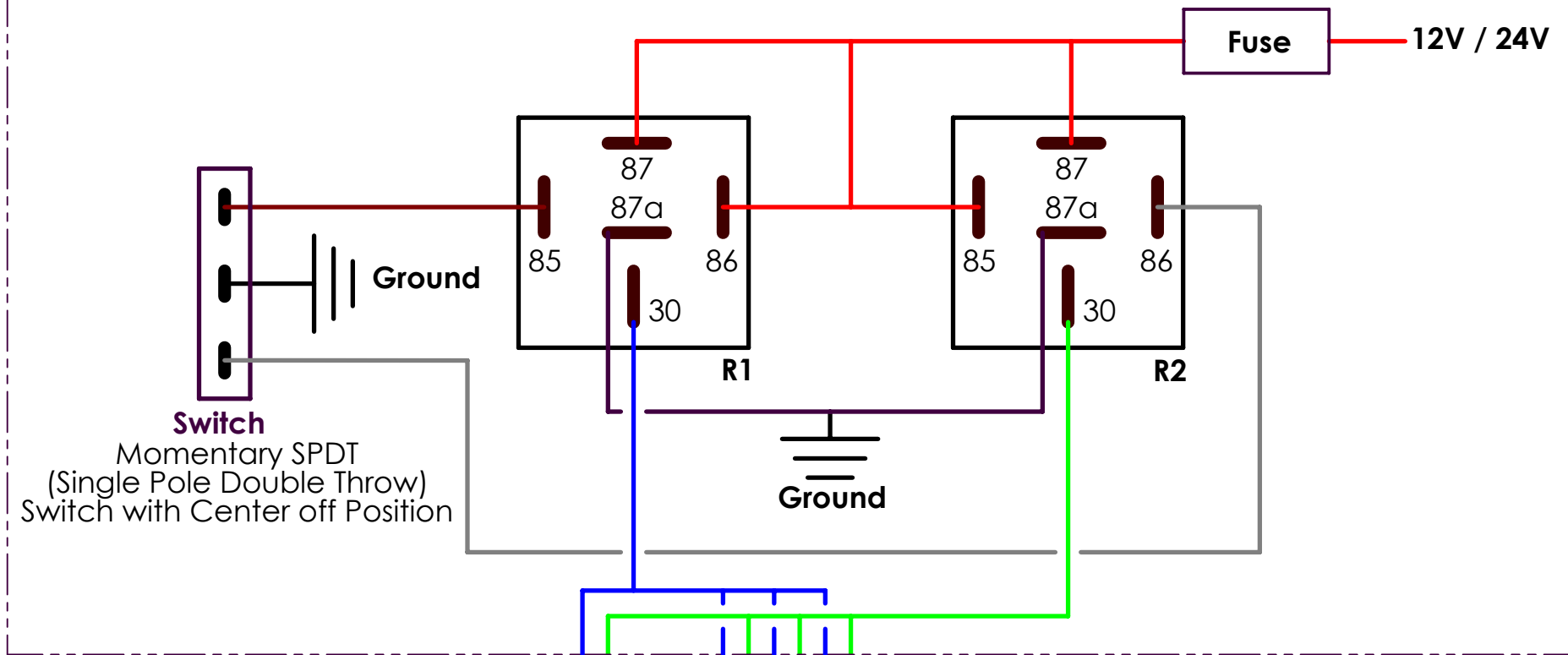


FASTLOCK Wiring

Unlock polarity
Blue wire (+)
Green wire (-)

Lock Polarity
Blue wire (-)
Green wire (+)

In vehicle cabin



SCHEMATIC FOR FASTLOCK V2

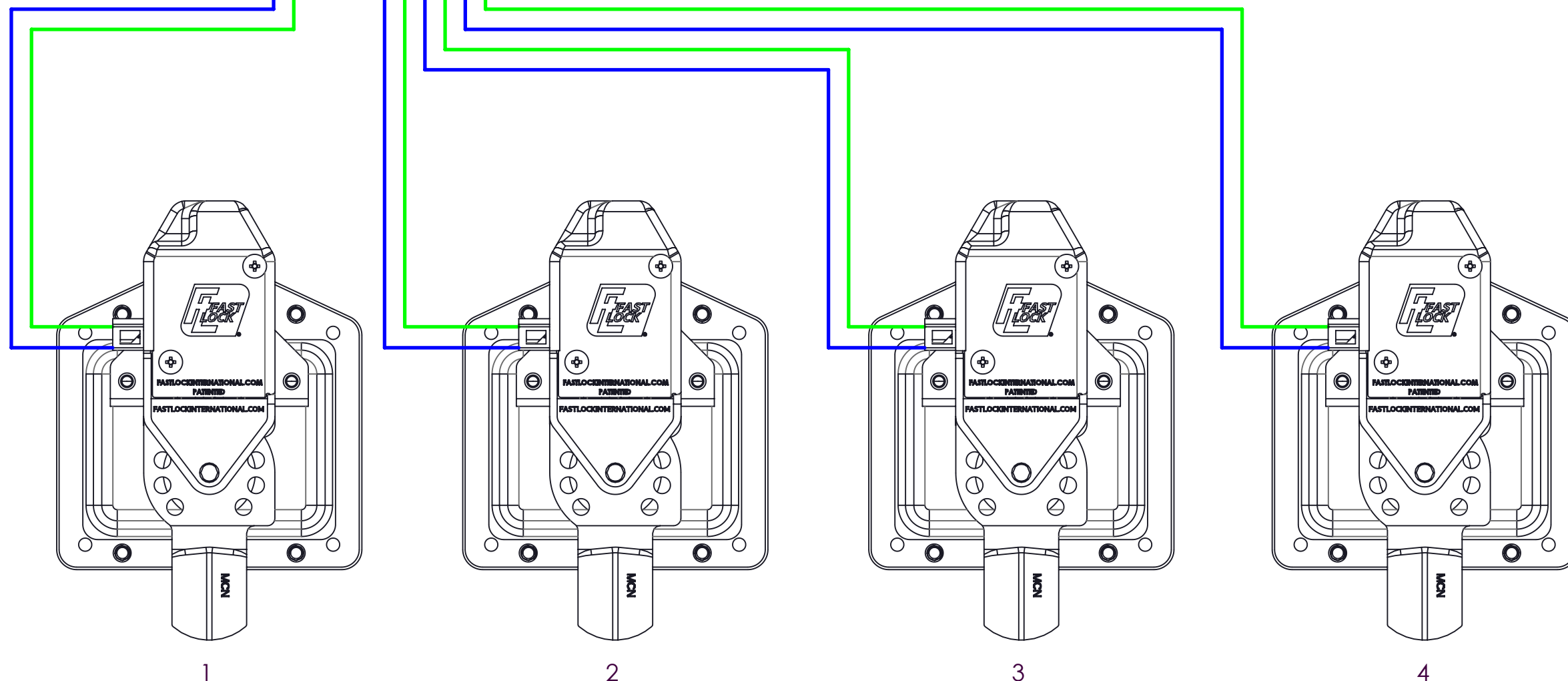
SWITCH ACTIVATION

VEHICLE SWITCH SENDS A POSITIVE SIGNAL TO CONTROLLER TO MOVE THE ACTUATORS

Attention: FastLock series FL-124 is rated for 12 volts only. Series FL-244 is rated for 12 - 24 volts

Key:

- R1 = relay 1
- R2 = relay 2
- 85 = relay coil - switching or control output
- 86 = relay coil - switching or control output
- 87 = relay power circuit output NO (Normally Open)
- 87a = relay power circuit output NC (Normally Closed)
- 30 = relay power circuit input



FASTLOCK Wiring

Unlock polarity
Blue wire (+)
Green wire (-)

Lock Polarity
Blue wire (-)
Green wire (+)